

Technical data sheet



Product features

Steak grill electric with digital timer and top contact plate 65x48 table

Model	SAP Code	00021131
--------------	-----------------	----------



- Top type: Smooth
- Griddle dimensions [mm x mm]: 650 x 480 + 320 x 380
- Griddle thickness [mm]: 10.00
- Container for liquid fat: Yes
- Independent heating zones: Separate control for each heating zone on the bottom plate and for the top plates
- Maximum device temperature [°C]: 300
- Surface finish: durable chrome
- Removable rim: No

SAP Code	00021131	Power electric [kW]	9.000
Net Width [mm]	660	Loading	230 V / 1N - 50 Hz + 400 V / 3N - 50 Hz
Net Depth [mm]	660	Griddle dimensions [mm x mm]	650 x 480 + 320 x 380
Net Height [mm]	400	Top type	Smooth
Net Weight [kg]	62.00		

Technical data sheet



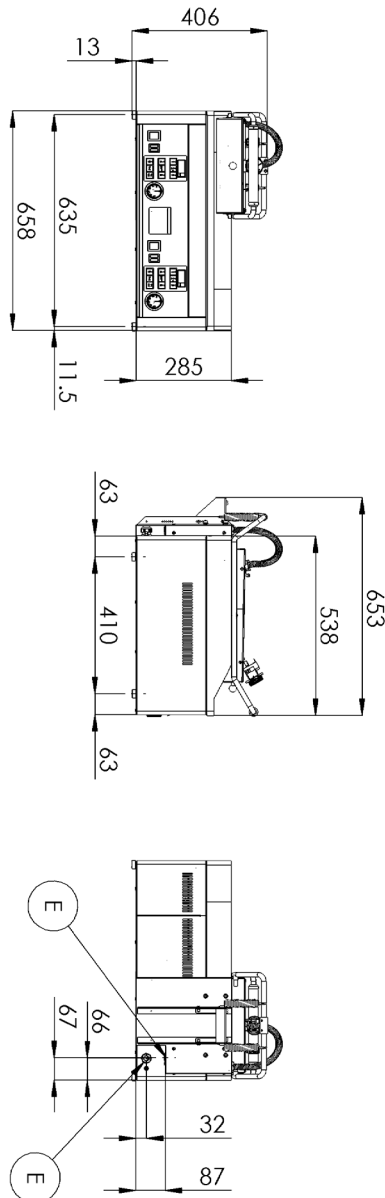
Technical drawing

Steak grill electric with digital timer and top contact plate 65x48 table

Model

SAP Code

00021131



Technical data sheet



Technical parameters

Steak grill electric with digital timer and top contact plate 65x48 table

Model	SAP Code	00021131
--------------	-----------------	----------

1. SAP Code:

00021131

2. Net Width [mm]:

660

3. Net Depth [mm]:

660

4. Net Height [mm]:

400

5. Net Weight [kg]:

62.00

6. Gross Width [mm]:

710

7. Gross depth [mm]:

725

8. Gross Height [mm]:

540

9. Gross Weight [kg]:

65.00

10. Device type:

Electric unit

11. Construction type of device:

Table top

12. Power electric [kW]:

9.000

13. Loading:

230 V / 1N - 50 Hz + 400 V / 3N - 50 Hz

14. Protection of controls:

IPX4

15. Exterior color of the device:

Stainless steel

16. Material:

AISI 430

17. Indicators:

operation and warm-up

18. Surface finish:

durable chrome

19. Maximum device temperature [°C]:

300

20. Minimum device temperature [°C]:

50

21. Griddle dimensions [mm x mm]:

650 x 480 + 320 x 380

22. Griddle thickness [mm]:

10.00

23. Container for liquid fat:

Yes

24. Independent heating zones:

Separate control for each heating zone on the bottom plate and for the top plates

25. Removable rim:

No

26. Uniform heating:

Yes

27. Top type:

Smooth